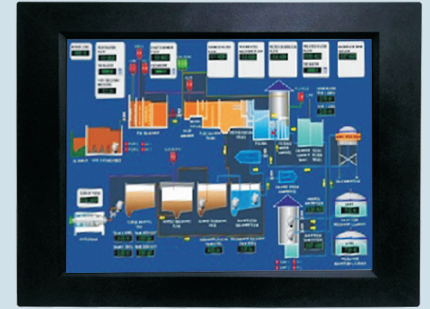


# PC6150

## 15" Fanless Panel PC with Intel® Atom™ E3845 Processor

PC6150 is a new 15" Panel PC equipped with an Intel® Atom™ E3845 Quad-core Processor, the fanless design of PC6150 makes it more reliable in different applications for the machine industry.

In addition, 2 x serial ports, 4 x USB ports and dual Gigabit Ethernet LAN ports make it easier to connect to different devices and be integrated into system solutions. Thermal stability, Shock and vibration resistance and compliance to EMC standards is standard feature of PC6150.



### SALIENT FEATURES

- 15" XGA TFT LED Panel with Resistive Touchscreen
- Embedded Intel® Atom™ E3845 Processor, Quad-Core, 1.91 GHz
- Supports 1 internal SATA 2.5" SSD/HDD and 1 mSATA port
- System memory up to 8 GB DDR3L 1066/1333 MHz SDRAM
- Fanless design
- RS-232/RS-422/RS-485 selectable through BIOS
- Microsoft® Windows® 7/8/10 support

### SPECIFICATIONS

SYSTEM	
CPU	Intel® Atom™ E3845 Quad-Core 1.91 GHz Processor
Chipset	Valleyview SOC integrated
BIOS	AMI
DISPLAY	
Type	XGA TFT LED Panel
Size	15"
Resolution	1024 x 768
Colors	16M
Brightness (cd/m <sup>2</sup> )	400
Contrast Ratio	1500
Backlight Life	50,000 hours
GRAPHICS	
Controller	Intel® HD Graphics
Display Mode	2 independent displays
MEMORY	
Technology	DDR3
Capacity	Up to 8 GB DDR3L 1066/1333 Mhz
Socket	SO-DIMM
STORAGE	
SATA	2.5" SATA SSD / HDD

## TOUCHSCREEN

Light Transmission	>80%
Type	Analog Resistive

## HARDWARE MONITOR

Watchdog Timer	1 sec to 65535 sec
----------------	--------------------

## EXPANSION SLOTS

Slots	1 x mPCIe (half size), 1 x mPCIe (full size)
-------	--

## INTERFACES

Serial Ports	1 x RS-232, 1x RS-232 / RS-422 / RS-485
Ethernet	2 x 10/100/1000 Mbps
USB	1 x USB 3.0, 3 x USB 2.0
External Display	1 x HDMI (up to 1920 x 1200), 1 x VGA

## ENVIRONMENT

Operating Temperature	0°~50°C
Storage Temperature	-40°~75°C
Humidity	10%~90% RH(non condensing)
Ingress Protection	IP66 for front panel mounting
Vibration Protection	5~150 Hz, 1g peak, (X, Y, Z)

## SUPPORTED OPERATING SYSTEM

Windows	Windows® 7/8/10, Windows® 10 IoT
---------	----------------------------------

## MECHANICAL

Weight	4 kg
Mounting	Panel Mounting, VESA Mounting
Dimensions (W x H x D)	402.3 (W) X 301.3(H) X 87.6 (D)

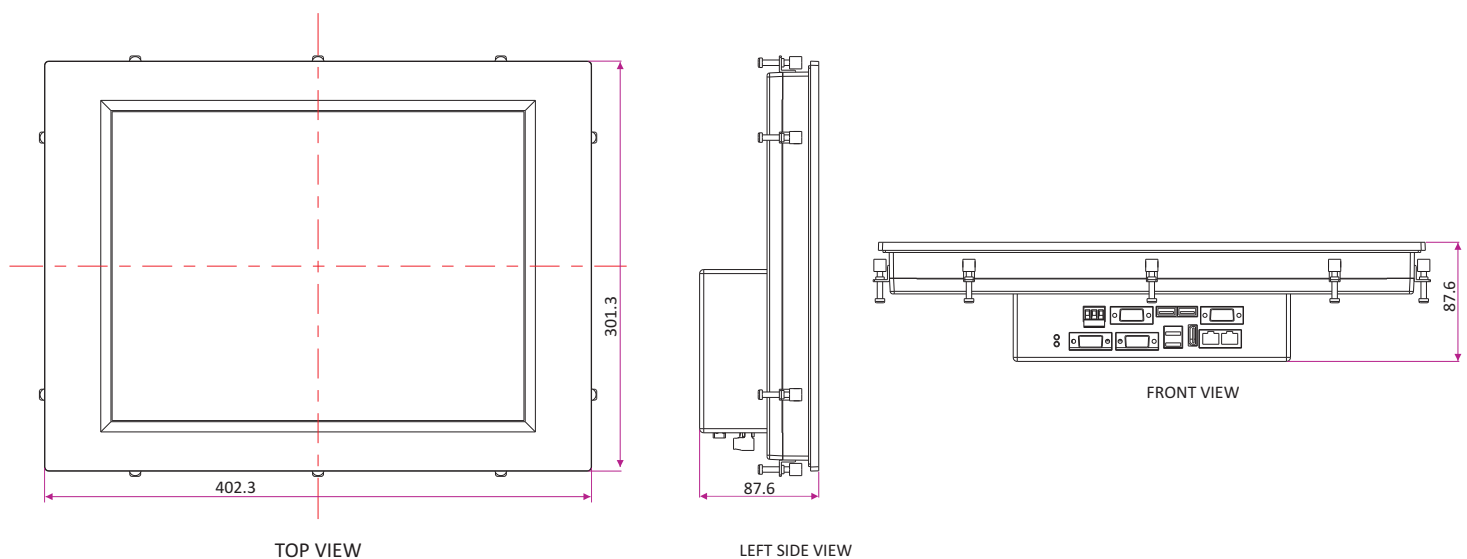
## POWER

Input Voltage	12~26 VDC
Power Consumption	25W max

## APPROVALS

CE	Yes
RoHS	Yes

## DIMENSIONS



## ORDERING INFORMATION

BAREBONE HARDWARE	
Part Number	Description
PC6150	15" Industrial Panel PC barebone (No SSD, No RAM, No OS )
SSD MLC (OPTIONAL)	
Part Number	Description
SM-01	Transcend® 32GB SSD MLC
SM-02	Transcend® 64GB SSD MLC
SM-03	Transcend® 128GB SSD MLC
SM-04	Transcend® 256GB SSD MLC
SM-05	Transcend® 512GB SSD MLC
SM-06	Transcend® 1TB SSD MLC
SSD SLC (OPTIONAL)	
Part Number	Description
SS-01	Transcend® 16GB SSD SLC
SS-02	Transcend® 32GB SSD SLC
SS-03	Transcend® 64GB SSD SLC
SS-04	Transcend® 128GB SSD SLC
SS-05	Transcend® 256GB SSD SLC
RAM (OPTIONAL)	
Part Number	Description
IR-01	Transcend® 2GB DDR3L RAM
IR-02	Transcend® 4GB DDR3L RAM
IR-03	Transcend® 8GB DDR3L RAM

**Disclaimer:**

Microsoft®, Windows® are either registered trademarks or trademarks of Microsoft® Corporation in the United States and/or other countries.

Transcend® is registered trademark of Transcend Information, Inc.

All other products, brand names, company names and logos used here-in are for identification purposes only and are trademarks of their respective owners.



**HEAD OFFICE**

Survey No. 2/6, Baner Road,  
Pune - 411045, India.  
Tel : +91 20 2729 2840 - 46  
Email : info@renewelectronics.com

**FACTORY**

Gat No. 1163, Ghotawade,  
Tal - Mulshi, Pune - 412115, India.  
Tel: +91 20 6687 2900

**REGIONAL OFFICES**

- Ahmedabad
- Bangalore
- Chennai
- Coimbatore
- Hyderabad
- Mumbai
- New Delhi

**OVERSEAS DISTRIBUTORS**

- USA
- Europe
- Asia Pacific

(Preliminary Datasheet. Specifications subject to change without prior notice. DS-PC6150-Series-Fanless-Panel-PC-Rev.C)

# PC6-B100

## Fanless Industrial Box PC with Intel® Atom™ E3845 Processor

PC6-B100 is a new Box PC equipped with an Intel® Atom™ E3845 Quad-Core Processor. The fanless design of PC6-B100 makes it reliable for different applications in the industry.

2 Serial ports, 4 USB ports and 2 dual Gigabit Ethernet/LAN ports make it easier to connect to different devices that are integrated into the system. Thermal stability, resistance to shock and vibration and compliance with EMC standards are some typical features of the new PC6-B100.



### SALIENT FEATURES

- Embedded Intel® Atom™ E3845 Processor, Quad-Core, 1.91 GHz
- Supports 1 internal SATA 2.5" SSD/HDD and 1 mSATA port
- System memory up to 8 GB DDR3L 1066/1333 MHz SDRAM
- Fanless design
- RS-232/RS-422/RS-485 selectable through BIOS
- Microsoft® Windows® 7/8/10, Linux® (Ubuntu®) support

### SPECIFICATIONS

SYSTEM	
CPU	Intel® Atom™ E3845 Quad-Core 1.91 GHz Processor
Chipset	Valleyview SOC integrated
BIOS	AMI
GRAPHICS	
Controller	Intel® HD Graphics
Displays Supported	2 independent displays
MEMORY	
Technology	DDR3
Capacity	Up to 8 GB DDR3L 1066/1333 MHz
Socket	SO-DIMM
STORAGE	
Storage	2.5" SATA SSD / HDD
EXPANSION SLOTS	
Slots	1 x mPCIe (half size), 1 x mPCIe (full size)
INTERFACES	
Serial Ports	1 x RS-232, 1x RS-232 / RS-422 / RS-485
Ethernet	2 x 10/100/1000 Mbps
USB	1 x USB 3.0, 3 x USB 2.0
External Display	1 x HDMI (up to 1920 x 1200), 1 x VGA
ENVIRONMENT	
Operating Temperature	0°~50°C
Storage Temperature	-40°~75°C
Humidity	10%~90% RH(non condensing)
Ingress Protection	IP20

Vibration Protection	5~150 Hz, 1g peak, (X, Y, Z)
Surge	as per IEC61000-4-5
<b>SUPPORTED OPERATING SYSTEM</b>	
Windows®	Windows® 7/8/10, Windows® 10 IoT
Linux®	Ubuntu®
<b>MECHANICAL</b>	
Weight	950 g
Mounting	Wall Mount / DIN Rail Mount
Dimensions (WxHxD)	200 x 62 x 113 mm
<b>POWER</b>	
Input Voltage	12~26 VDC
Power Consumption	20 W max
<b>APPROVALS</b>	
CE	Yes
RoHS	Yes

## ORDERING INFORMATION

<b>BAREBONE HARDWARE</b>	
Part Number	Description
PC6-B100	Industrial Box PC barebone (No SSD, No RAM, No OS )
<b>SSD MLC (OPTIONAL)</b>	
Part Number	Description
SM-01	Transcend® 32GB SSD MLC
SM-02	Transcend® 64GB SSD MLC
SM-03	Transcend® 128GB SSD MLC
SM-04	Transcend® 256GB SSD MLC
SM-05	Transcend® 512GB SSD MLC
SM-06	Transcend® 1TB SSD MLC
<b>SSD SLC (OPTIONAL)</b>	
Part Number	Description
SS-01	Transcend® 16GB SSD SLC
SS-02	Transcend® 32GB SSD SLC
SS-03	Transcend® 64GB SSD SLC
SS-04	Transcend® 128GB SSD SLC
SS-05	Transcend® 256GB SSD SLC
<b>RAM (OPTIONAL)</b>	
Part Number	Description
IR-01	Transcend® 2GB DDR3L RAM
IR-02	Transcend® 4GB DDR3L RAM
IR-03	Transcend® 8GB DDR3L RAM

**Disclaimer:**

Microsoft®, Windows® are either registered trademarks or trademarks of Microsoft® Corporation in the United States and/or other countries.

Linux® is the registered trademark of Linus Torvalds in the U.S. and other countries.

Ubuntu® is a registered trademark of Canonical Ltd.

Transcend® is registered trademark of Transcend Information, Inc.

All other products, brand names, company names and logos used here-in are for identification purposes only and are trademarks of their respective owners.



**HEAD OFFICE**

Survey No. 2/6, Baner Road,  
Pune - 411045, India.  
Tel : +91 20 2729 2840 - 46  
Email : info@renuelectronics.com

**FACTORY**

Gat No. 1163, Ghotawade,  
Tal - Mulshi, Pune - 412115, India.  
Tel: +91 20 6687 2900

**REGIONAL OFFICES**

- Ahmedabad
- Bangalore
- Chennai
- Coimbatore
- Hyderabad
- Mumbai
- New Delhi

**OVERSEAS DISTRIBUTORS**

- USA
- Europe
- Asia Pacific